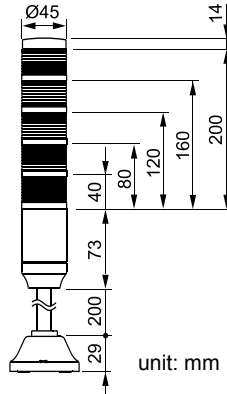


PME Ø45mm LED Steady & Flashing

TOWER LIGHTS



- Long life and reliability
- Prism-cut lenses for even light distribution
- Surface, Pole or Wall Mounted (Order poles & bases separately)
- Wire leads



Specifications

Power Supply		12V AC/DC	24V AC/DC	100-220V AC
Current Draw	1 Stack	41 mA	27 mA	28 mA
	2 Stack	89 mA	57 mA	60 mA
	3 Stack	149 mA	95 mA	99 mA
	4 Stack	204 mA	125 mA	131 mA
	5 Stack	240 mA	155 mA	163 mA
Flashing rate		80 times/minute		
Rating		IP 56		

Order Information

PME	F	5	01	RYGBC
①	②	③	④	
Light Style			Steady	
	F		Steady & Flashing	
Number of Stacks	1	1 Light		
	2	2 Lights		
	3	3 Lights		
	4	4 Lights		
	5	5 Lights		
Power Supply	01	DC/AC 12V		
	02	DC/AC 24V		
	FF	AC 90-240V		
Lens Colors (top to bottom)	R	Red		
	Y	Yellow		
	G	Green		
	B	Blue		
	C	Clear		

Replacement Parts

LED	PMELED-4(□)	24~240V AC/DC
	PMELED-4(□)-12	12V AC/DC
Lens	PML-4(□)	—

(□): indicates color of LED or Lens; R, Y, G, B or C

See Page 13-14 for Mounting Options and Accessories.

PLD Ø25mm LED Steady & Flashing

TOWER LIGHTS

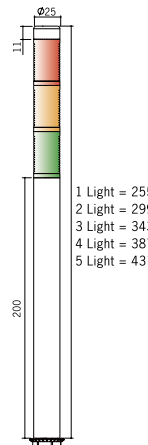
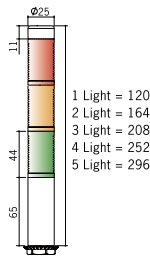


- Well suited for small device applications
- Long LED life and reliable operation
- Prism-cut lenses for even light distribution
- Strong aluminum body
- Direct mounting pole installed
- Lead wire connection



PLDS-000-00000
PLDSF-000-00000

PLDL-000-00000
PLDLF-000-00000



Specifications

Power Supply		12V AC/DC	24V AC/DC
Current Draw	1 Stack	30 mA	25 mA
	2 Stack	65 mA	60 mA
	3 Stack	100 mA	90 mA
	4 Stack	135 mA	120 mA
	5 Stack	170 mA	150 mA
Flashing rate		80 times/minute	
Rating		IP 56	

Order Information

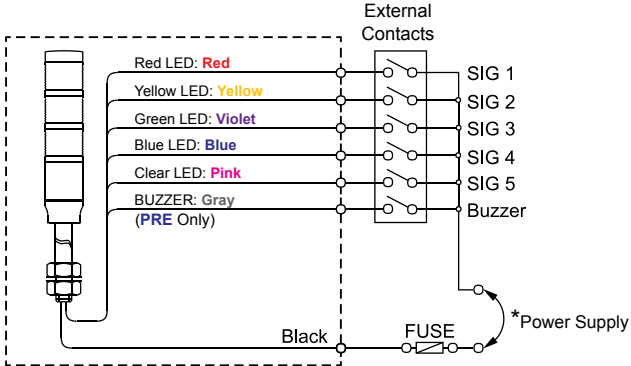
PLD	S	F	5	01	RYGBC
①	②	③	④	⑤	
Pole Length	S	65mm pole			
	L	200mm pole			
Light Style		Steady			
	F	Steady & Flashing			
Number of Stacks	1	1 Light			
	2	2 Lights			
	3	3 Lights			
	4	4 Lights			
	5	5 Lights			
Power Supply	01	DC/AC 12V			
	02	DC/AC 24V			
Lens Colors (top to bottom)	R	Red			
	Y	Yellow			
	G	Green			
	B	Blue			
	C	Clear			

PRE / PME / PLD Wiring Diagram

Steady Lights

DC/AC 12V

PRE-01-00000
PME-01-00000
PLD-01-00000

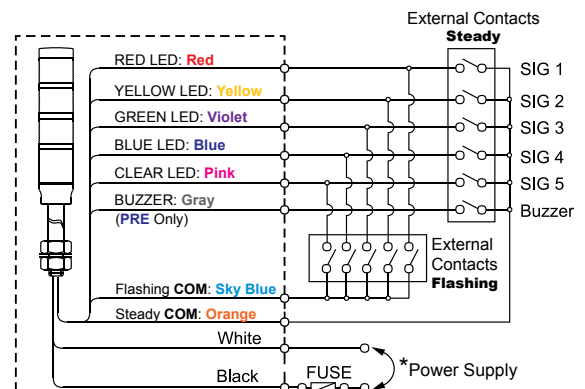


* No polarity for DC applications.

Steady & Flashing Lights

DC/AC 12V

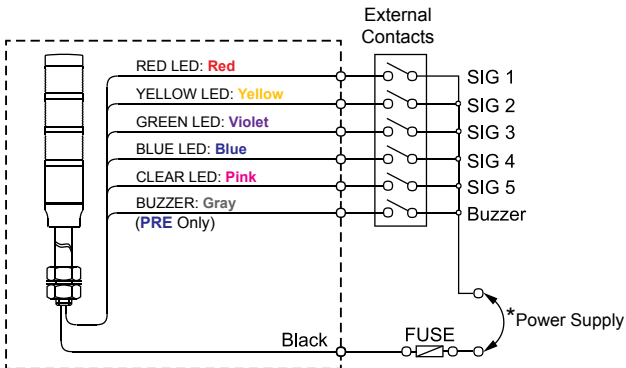
PREF-01-00000
PMEF-01-00000
PLDF-01-00000



* No polarity for DC applications.

DC/AC 24V

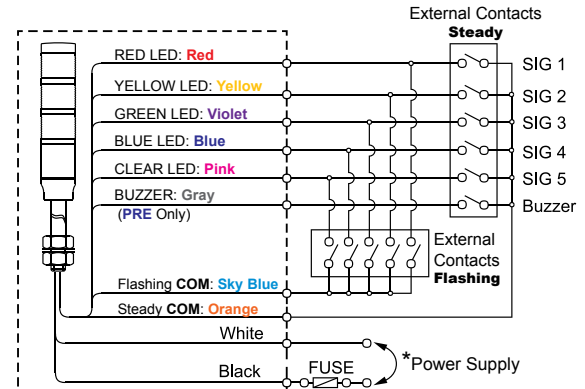
PRE-02-00000
PME-02-00000
PLD-02-00000



* No polarity for DC applications.

DC/AC 24V

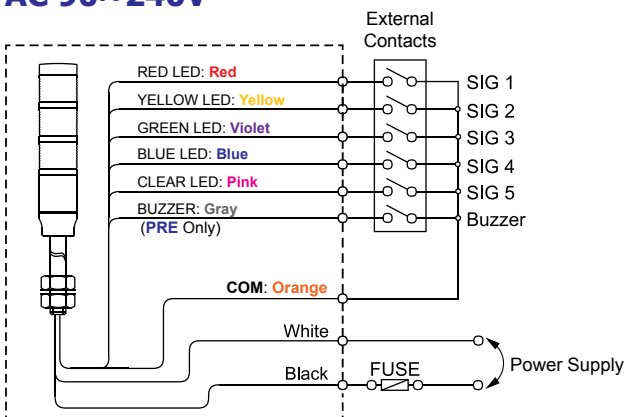
PREF-02-00000
PMEF-02-00000
PLDF-02-00000



* No polarity for DC applications.

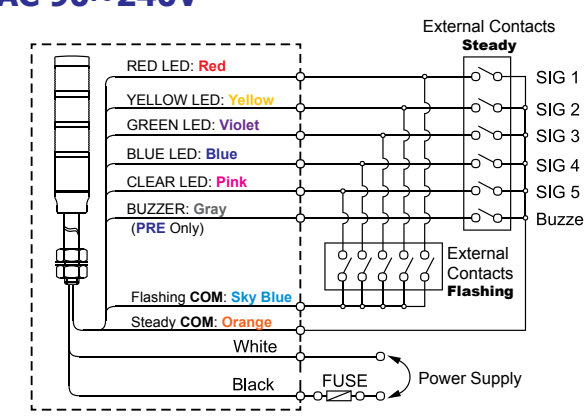
AC 110V
AC 220V
AC 90~240V

PRE-10-00000
PRE-20-00000
PME-FF-00000



AC 110V
AC 220V
AC 90~240V

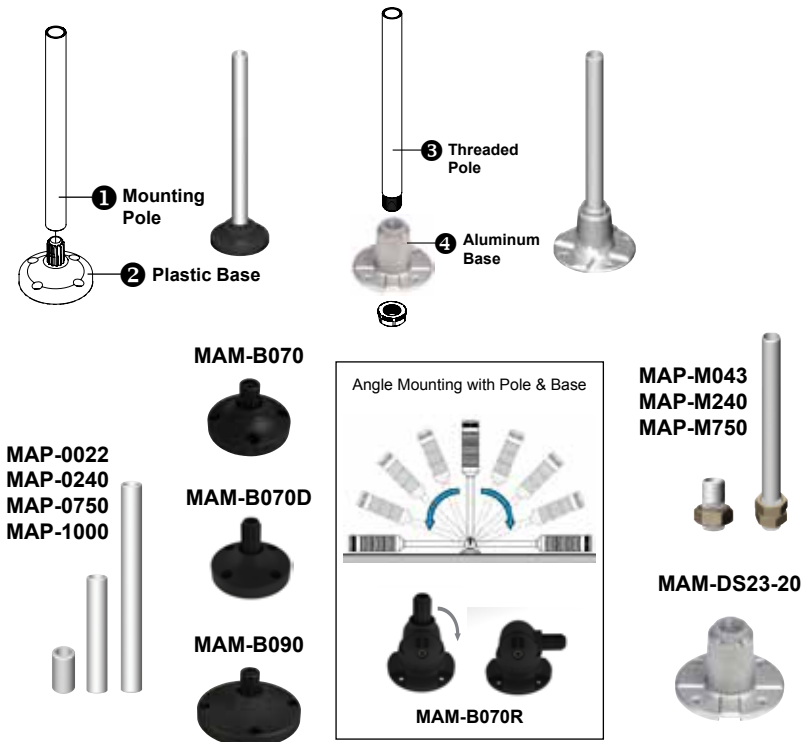
PREF-10-00000
PREF-20-00000
PMEF-FF-00000



Pole Mounting with Base

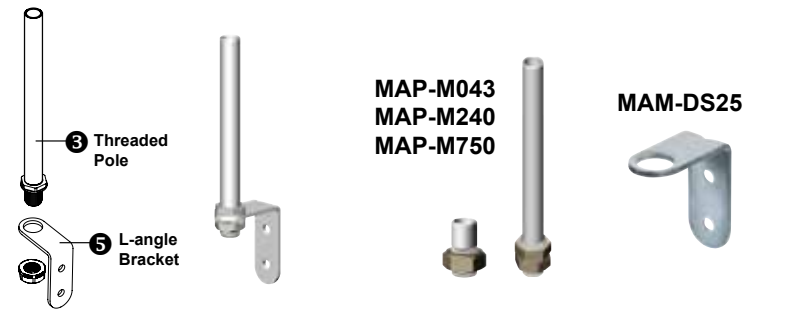
Part	Part #	Description
1	*MAP-0022	Ø20mm, 0.87 in (22 mm) pole
	MAP-0240	Ø20mm, 9.45 in (240 mm) pole
	MAP-0750	Ø20mm, 29.53 in (750 mm) pole
	MAP-1000	Ø20mm, 39.37 in (1000 mm) pole
2	MAM-B070	Ø70mm Plastic Base
	MAM-B070D	Ø70mm Plastic Base with Water-Proof Rubber Gasket
	MAM-B070R	Ø70mm Plastic Base with 180° rotating pole holder
	MAM-B090	Ø90mm Plastic Base
3	MAP-M043	Ø20mm, 1.69 in (43 mm) threaded pole with 1 nut
	MAP-M240	Ø20mm, 9.45 in (240 mm) threaded pole with 2 nuts
	MAP-M750	Ø20mm, 29.53 in (750 mm) threaded pole with 1 nut
4	MAM-DS23-20	Aluminum Base

* MAM-0022 CANNOT be used with PTE & PTM Series.



L-angle Mounting with Bracket

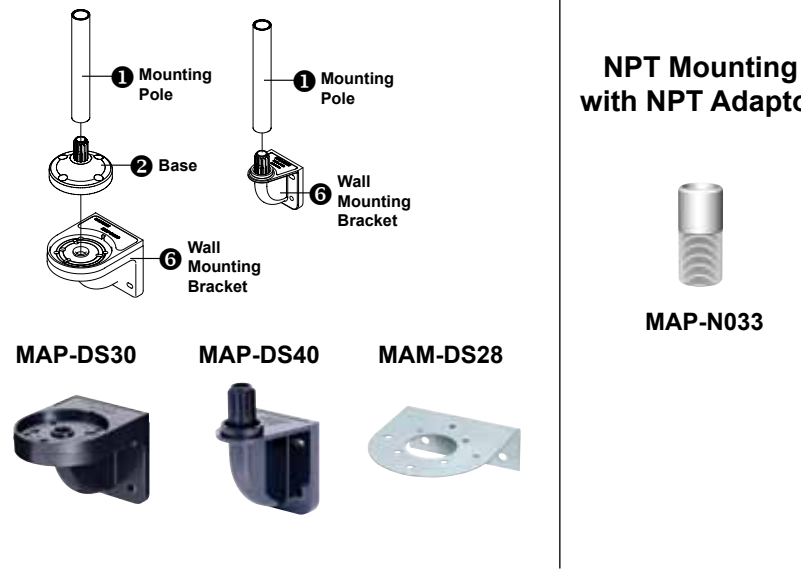
Part	Part #	Description
3	MAP-M043	Ø20mm, 1.69 in (43 mm) threaded pole with 1 nut
	MAP-M240	Ø20mm, 9.45 in (240 mm) threaded pole with 2 nuts
	MAP-M750	Ø20mm, 29.53 in (750 mm) threaded pole with 1 nut
5	MAM-DS25	L-angle Bracket



Wall Mounting with Bracket

Part	Part #	Description
1	*MAP-0022	Ø20mm, 0.87 in (22 mm) pole
	MAP-0240	Ø20mm, 9.45 in (240 mm) pole
	MAP-0750	Ø20mm, 29.53 in (750 mm) pole
	MAP-1000	Ø20mm, 39.37 in (1000 mm) pole
2	MAM-B070	Ø70mm Plastic Base
	MAM-B070D	Ø70mm Plastic Base with Water-Proof Rubber Gasket
6	MAP-DS30-BLK	Plastic Wall Mounting Bracket, Black (Pole & Base required)
	MAP-DS30-BGE	Plastic Wall Mounting Bracket, Beige (Pole & Base required)
	MAP-DS40-BLK	Plastic Wall Mounting Bracket, Black (Pole required)
	MAP-DS40-BGE	Plastic Wall Mounting Bracket, Beige (Pole required)
	MAM-DS28	Metal Wall Mounting Bracket (Pole & Base required)

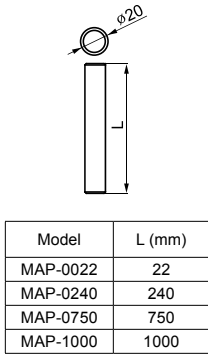
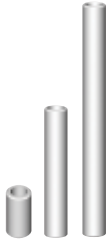
* MAM-0022 CANNOT be used with PTE & PTM Series.



Accessories

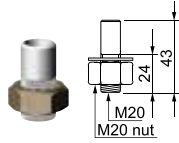
Mounting Poles

MAP-0022
MAP-0240
MAP-0750
MAP-1000

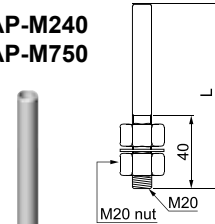


Threaded Poles

MAP-M043



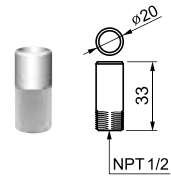
MAP-M240
MAP-M750



Model	L (mm)
MAP-M240	240
MAP-M750	750

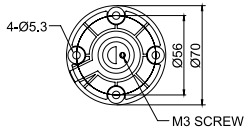
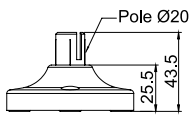
NPT Adaptor

MAP-N033

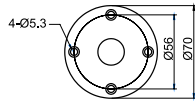
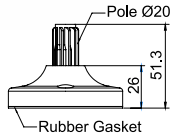


Mounting Bases

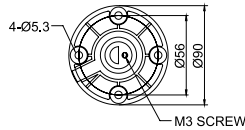
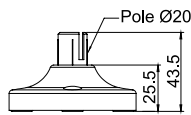
MAM-B070



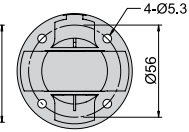
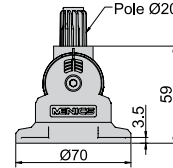
MAM-B070D



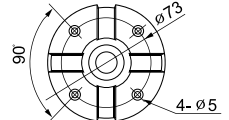
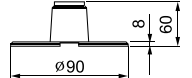
MAM-B090



MAM-B070R

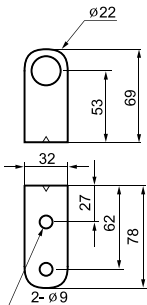


MAM-DS23-20

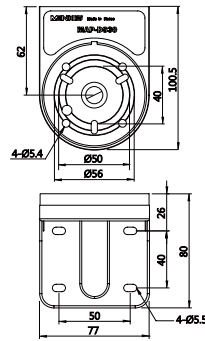


Wall Mount Brackets

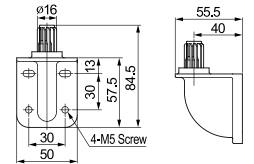
MAM-DS25



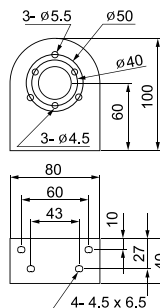
MAP-DS30



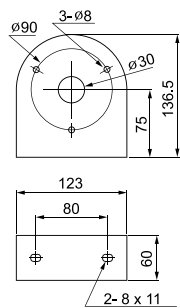
MAP-DS40



MAM-DS26



MAM-DS27



MAM-DS28

